

SG-3784M

User Manual

Introduction

The SG-3784M is a 4-channel DC current input signal conditioning module which can convert 4 ~ 20 mA current input to PWM output. This provides an economical solution when the 4 to 20mA current need to be converted to PWM output. The duty cycle, 0% to 100%, of the PWM output is a linear transformation of the 4 to 20mA current input. The frequency of the PWM signal can be in the range 600Hz to 800Hz and it can be adjusted by buttons. The SG-3784M includes a monochrome graphic LCD display which shows the duty cycle and frequency of the 4-channel PWM output signals. 4 kV ESD and 4 kV EFT protection are also provided to enhance noise protection capabilities in industrial environments.

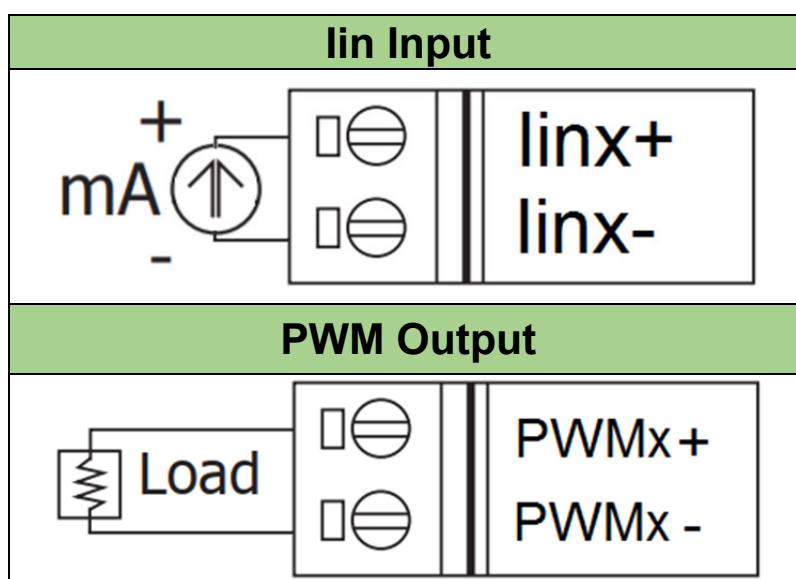
Appearance



PIN Assignment



Wire Connection



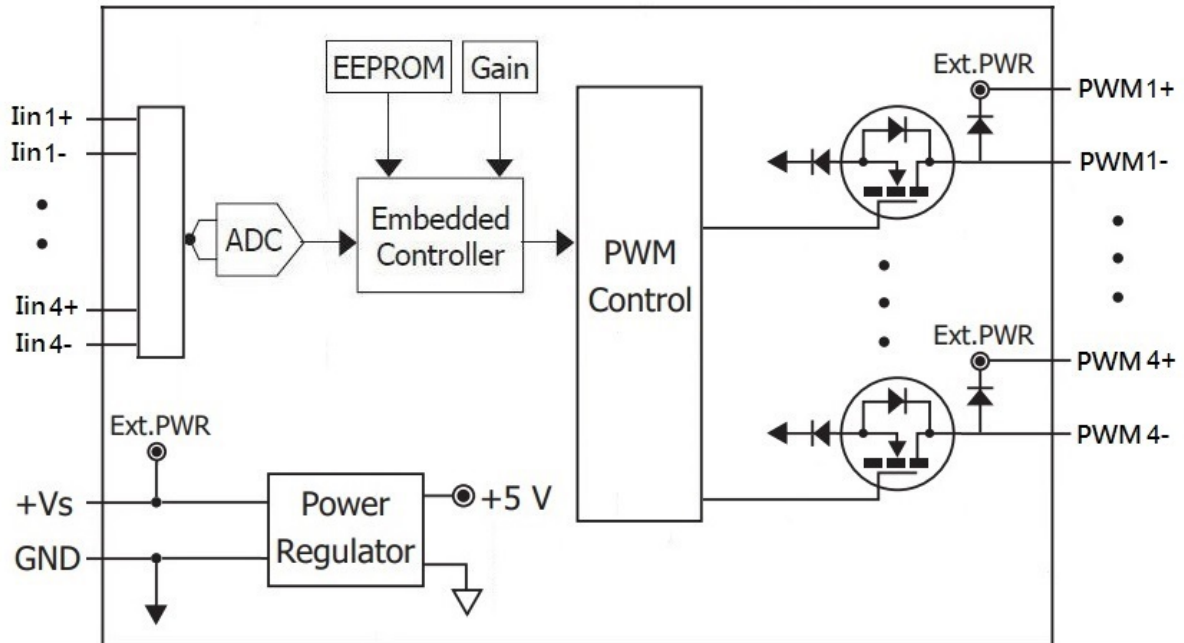
PWM Duty Cycle and Frequency setting

PWM duty cycle and frequency setting show the button switch positions used to configure the channel PWM duty cycle and frequency range. The PWM frequency configuration button switches are located left side the module for front view.

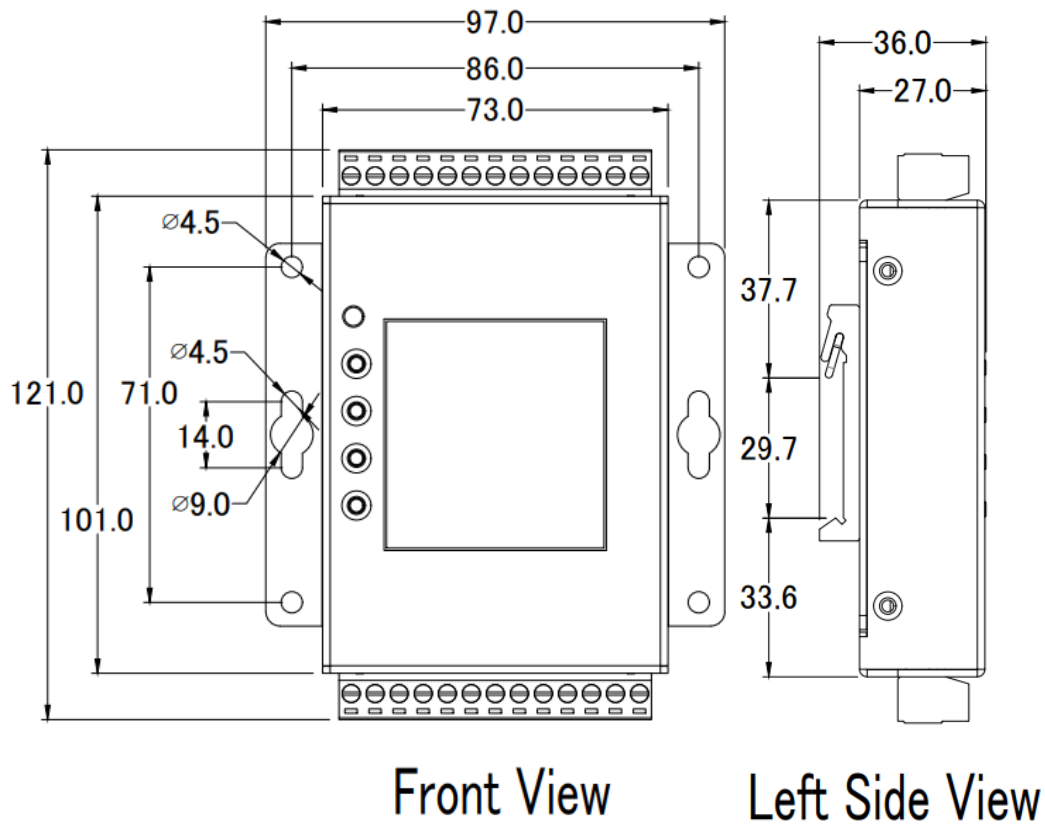


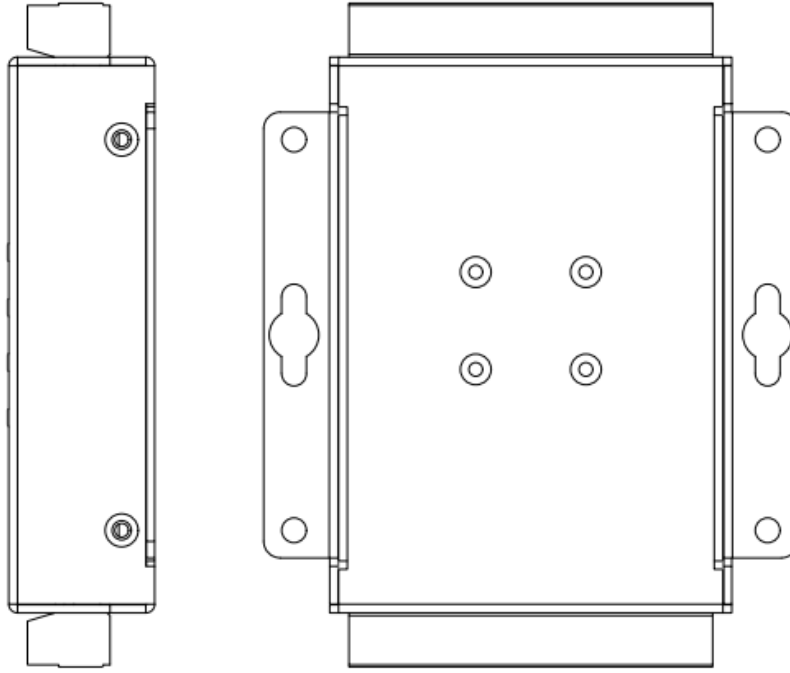
PWR	The power LED of the module
Mode	Press MODE to modify the channel frequency, the channel frequency flashes. Long press MODE to modify the four-channel frequency at the same time, and the four-channel frequency flashes.
Up	Press UP to increase the frequency, long press to increase quickly.
Down	Press DOWN to decrease the frequency, long press to decrease quickly.
Set	Press SET to save the modified value. If only one channel is modified, it will switch to the next channel. If it is to modify the four channels, stop the modification. Press MODE during the modification to stop the modification.

Block Diagram



Dimensions





Right Side View

Rear Side View

Technical Service

Please E-mail your problem description to service@icpdas.com when you have any questions.
More detail information: www.icpdas.com