



# 40W 2"x1" Package Reliable Railway DC-DC Converter RSDW40 & RDDW40 series



## ■ Features

- Compliance with EN50155 railway standard
- 2"x1" compact size with low profile(10.5mm)
- 4:1 wide input range
- Wide operating temperature range -40 ~ +90°C
- No minimum load required
- Full encapsulated
- Protections: Short circuit (Continuous) / Overload / Over voltage / Over temperature / Input under voltage lock-out
- 1.6KVDC,3KVDC I/O isolation by models
- Remote ON/OFF control
- 3 years warranty

## ■ Applications

- Bus, tram, metro or railway system
- Telecom/datacom system
- Wireless network
- Industrial control facility
- Instrument
- Analyzer
- Highly vibrating, heavily dusty, extremely low or high temperature harsh environment

## ■ GTIN CODE

MW Search: <https://www.meanwell.com/serviceGTIN.aspx>

## ■ Description

RSDW40 and RDDW40 series are 40W module type DC-DC reliable railway converter with 2"x1" package. It features international standard pins, a high efficiency up to 92%, wide working temperature range -40~+90°C, 1.6KVDC(F/G models)/3KVDC(H models) I/P-O/P isolation voltage, compliance with EN50155 railway standard, continuous-mode short circuit protection, etc. The models account for different input voltage 9~36V, 18~75V and 40~160V 4:1 wide input range, and various output voltage, 3.3V/5V/12V/15V/24V/48V for single output and ±12V/±15V for dual outputs, which are suitable for railway, trams, buses and also can be used in the harsh environment with high vibration, high dust, extremely low or high temperature, etc.

## ■ Model Encoding

**RSDW40H-12**

- Output voltage (3.3/5/12/15/24/48Vdc, ±12/±15Vdc)
- Input voltage (F: 9~36Vdc, G: 18~75Vdc, H: 40~160Vdc)
- Rated wattage
- Series name { S:Single output, D: Dual output



40W 2"x1" Package Reliable Railway DC-DC Converter **RSDW40 & RDDW40 series**

MODEL SELECTION TABLE							
ORDER NO.	INPUT			OUTPUT		EFFICIENCY (Typ.)	CAPACITOR LOAD (MAX.)
	INPUT VOLTAGE (RANGE)	INPUT CURRENT		OUTPUT VOLTAGE	OUTPUT CURRENT		
		NO LOAD	FULL LOAD				
RSDW40F-03	Normal 24V (9 ~ 36V)	15mA	1.6A	3.3V	10A	89%	26600μF
RSDW40F-05		15mA	1.9A	5V	8A	89%	20000μF
RSDW40F-12		15mA	1.9A	12V	3.333A	92%	3900μF
RSDW40F-15		15mA	1.9A	15V	2.666A	92%	2600μF
RDDW40F-12		15mA	1.95A	±12V	0 ~ ±1.666A	89%	*2600μF
RDDW40F-15		15mA	1.95A	±15V	0 ~ ±1.333A	90%	*1600μF
RSDW40G-03	Normal 48V (18 ~ 75V)	15mA	0.85A	3.3V	10A	88%	26600μF
RSDW40G-05		15mA	1A	5V	8A	90%	20000μF
RSDW40G-12		15mA	1A	12V	3.333A	92%	3900μF
RSDW40G-15		15mA	1A	15V	2.666A	92%	2600μF
RDDW40G-12		15mA	1A	±12V	0 ~ ±1.666A	90%	*2600μF
RDDW40G-15		15mA	1A	±15V	0 ~ ±1.333A	90%	*1600μF
RSDW40H-05	Normal 110V (40 ~ 160V)	10mA	0.5A	5V	8A	88.5%	20000μF
RSDW40H-12		10mA	0.5A	12V	3.333A	89%	3900μF
RSDW40H-24		10mA	0.5A	24V	1.667A	89%	1300μF
RSDW40H-48		10mA	0.5A	48V	0.833A	89%	220μF

\* For each output

SPECIFICATION				
<b>INPUT</b>	<b>VOLTAGE RANGE</b>	F: 9~36Vdc , G: 18~75Vdc , H: 40~160Vdc		
	<b>SURGE VOLTAGE (100ms max.)</b>	24Vin models : 50Vdc, 48Vin models : 100Vdc, 110Vin models : 200Vdc		
	<b>FILTER</b>	Pi type		
	<b>PROTECTION</b>	Fuse recommended. 24Vin models: 8A delay time Type, 48Vin models: 4A delay time Type, 110Vin models: 2A delay time Type		
<b>OUTPUT</b>	<b>VOLTAGE ACCURACY</b>	±1%		
	<b>RATED POWER</b>	40W		
	<b>RIPPLE &amp; NOISE</b> <small>Note.2</small>	Single output models: 3.3Vo~15Vo: 100mVp-p, 24Vo~48Vo: 150mVp-p Dual output models: 125mVp-p		
	<b>LINE REGULATION</b> <small>Note.3</small>	Single output models: ±0.2%, Dual output models: ±0.5%		
	<b>LOAD REGULATION</b> <small>Note.4</small>	Single output models: ±0.5%, Dual output models: ±1%		
	<b>CROSS REGULATION</b>	±5% @ 25%~100% load for 24Vin/48Vin models		
	<b>SWITCHING FREQUENCY (Typ.)</b>	250KHz		
	<b>EXTERNAL TRIM ADJ. RANGE (Typ.)</b>	±10% (Single output model only)		
<b>PROTECTION</b>	<b>SHORT CIRCUIT</b>	Protection type : Continuous, automatic recovery		
	<b>OVERLOAD</b>	125 ~ 210% rated output power		
		Protection type : Recovers automatically after fault condition is removed		
	<b>OVER VOLTAGE</b>	Protection type : Clamp by diode		
	<b>OVER TEMPERATURE</b>	Tcase temperature 110°C max.		
<b>UNDER VOLTAGE LOCKOUT</b>	24Vin: 8Vdc, 48Vin: 16Vdc, 110Vin: 34Vdc			
<b>FUNCTION</b>	<b>REMOTE CONTROL</b>	Power ON: R.C~-Vin >3~12Vdc or open circuit Power OFF: R.C~-Vin <1.2Vdc or short		
<b>ENVIRONMENT</b>	<b>COOLING</b>	Free-air convection		
	<b>WORKING TEMP.</b>	-40 ~ +90°C (Refer to "Derating Curve")		
	<b>CASE TEMPERATURE</b>	+110°C max.		
	<b>WORKING HUMIDITY</b>	20% ~ 90% RH non-condensing		
	<b>STORAGE TEMP., HUMIDITY</b>	-55 ~ +125°C, 10 ~ 95% RH non-condensing		
	<b>TEMP. COEFFICIENT</b>	0.05% / °C (0 ~ 55°C)		
	<b>SOLDERING TEMPERATURE</b>	1.5mm from case of 1 ~ 3sec./260°C max.		
	<b>VIBRATION</b>	10 ~ 500Hz, 2G 10min./1cycle, period for 60min. each along X, Y, Z axes		
<b>SAFETY &amp; EMC</b> <small>( Note.5)</small>	<b>SAFETY STANDARDS</b>	EAC TP TC 020/2011(EAC TP TC 004 for 48Vin/110Vin type only) approved		
	<b>WITHSTAND VOLTAGE</b>	24Vin / 48Vin models: I/P-O/P 1.6KVDC, 110Vin models: 3KVDC		
	<b>ISOLATION RESISTANCE</b>	I/P-O/P:1000M Ohms / 500VDC / 25°C / 70% RH		
	<b>ISOLATION CAPACITANCE (Typ.)</b>	1500pF		
	<b>EMC EMISSION</b>	<b>Parameter</b>	<b>Standard</b>	<b>Test Level / Note</b>
		Conducted	BS EN/EN55032	Class A/B with external components (see page 6~7)
		Radiated	BS EN/EN55032	
	<b>EMC IMMUNITY</b>	<b>Parameter</b>	<b>Standard</b>	<b>Test Level / Note</b>
		ESD	BS EN/EN61000-4-2	Level 2, ±8KV air, ±6KV contact
		EFT/Burest	BS EN/EN61000-4-4	Level 1, ±2KV
		Surge	BS EN/EN61000-4-5	Level 1, ±2KV Line-Line
Conducted		BS EN/EN61000-4-6	Level 2, 10V(e.m.f.)	
Magnetic field		BS EN/EN61000-4-8	10A/m	
<b>RAILWAY STANDARD</b>	EN50155 / IEC60571 including EN61373 for shock & vibration, EN50121-3-2 for EMC			
<b>OTHERS</b>	<b>MTBF</b>	779Khrs MIL-HDBK-217F(25°C)		
	<b>DIMENSION (L*W*H)</b>	50.8*25.4*10.5mm (2*1*0.413 inch)		
	<b>CASE MATERIAL</b>	Metal Case		
	<b>PACKING</b>	F/G models: 37.6g, H models: 45g ; 18pcs/per tube, 288pcs/16 tube max./carton		
<b>NOTE</b>	<p>1.All parameters are specified at normal input(F:24Vdc, G:48Vdc, H:110Vdc), rated load, 25°C 70% RH ambient.</p> <p>2.Ripple &amp; noise are measured at 20MHz by using a 12" twisted pair terminated with a 0.1µf &amp; 47µf capacitor.</p> <p>3.Line regulation is measured from low line to high line at rated load.</p> <p>4.Load regulation is measured from 0% to 100% rated load.</p> <p>5.The final equipment must be re-confirm that it still meet EMC directives. For guidance on how to perform these EMC tests, please refer to "EMI testing of component power supplies."(as available on <a href="http://www.meanwell.com">http://www.meanwell.com</a>)</p> <p>※ Product Liability Disclaimer : For detailed information, please refer to <a href="https://www.meanwell.com/serviceDisclaimer.aspx">https://www.meanwell.com/serviceDisclaimer.aspx</a></p>			

## External Output Trimming

In order to trim the voltage up or down one needs to connect the trim resistor either between the trim pin and -Vo for trim-up and between trim pin and +Vo for trim-down. The output voltage trim range is  $\pm 10\%$ . This is shown in Figures 1 and 2:

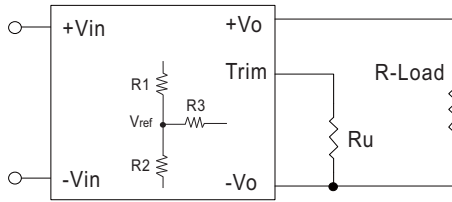


Figure 1. Trim-up Voltage Setup

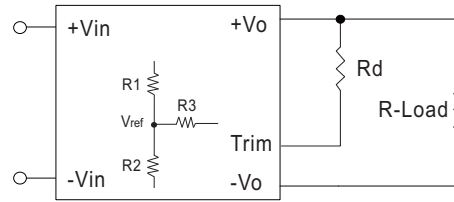


Figure 2. Trim-down Voltage Setup

### 1. The value of Rtrim-up defined as:

$$R_{\text{trim-up}} = \frac{aR_2}{R_2-a} - R_3, a = \frac{V_{\text{ref}}}{V_o'-V_{\text{ref}}} \times R_1$$

For example, to trim-up the output voltage of 5.0V module (RSDW40F-05) by 10% to 5.5V, Rtrim-up is calculated as follows:

$$V_o' = 5.5V$$

$$V_{\text{ref}} = 1.24V$$

$$R_1 = 15.47 K\Omega$$

$$R_2 = 5.1 K\Omega$$

$$R_3 = 33K\Omega$$

$$a = \frac{V_{\text{ref}}}{V_o'-V_{\text{ref}}} \times R_1$$

$$= \frac{1.24}{5.5 - 1.24} \times 15.47 = 4.503$$

$$R_{\text{trim-up}} = \frac{aR_2}{R_2-a} - R_3$$

$$= \frac{4.503 \times 5.1}{5.1 - 4.503} - 33$$

$$= \frac{22.9653}{0.597} - 33$$

$$= 5.476K\Omega$$

Table 1 – Trim up and Trim down Resistor Values

Model No.	Vout	Vref	R1	R2	R3
RSDW40F	3.3V	1.24V	8.5K $\Omega$	5.1K $\Omega$	27K $\Omega$
	5V	1.24V	15.47K $\Omega$	5.1K $\Omega$	33K $\Omega$
	12V	2.50V	12.62K $\Omega$	3.3K $\Omega$	22K $\Omega$
	15V	2.50V	15.1K $\Omega$	3K $\Omega$	22K $\Omega$
RSDW40G	3.3V	1.24V	8.5K $\Omega$	5.1K $\Omega$	27K $\Omega$
	5V	1.24V	15.47K $\Omega$	5.1K $\Omega$	33K $\Omega$
	12V	2.50V	12.62K $\Omega$	3.3K $\Omega$	22K $\Omega$
	15V	2.50V	15.1K $\Omega$	3K $\Omega$	22K $\Omega$
RSDW40H	5V	1.24V	15.47K $\Omega$	5.1K $\Omega$	30K $\Omega$
	12V	2.50V	38K $\Omega$	10K $\Omega$	68K $\Omega$
	24V	2.50V	86K $\Omega$	10K $\Omega$	76.8K $\Omega$
	48V	2.50V	182K $\Omega$	10K $\Omega$	80.6K $\Omega$

Note:

1. Rtrim-up, Rtrim-down is mean trim resistor, please check the formula.
2. a & b: user define parameter, no actual meanings.
3. Vo' is target trim voltage.
4. Value for R1, R2, R3 and Vref refer to below table.

### 2. The value of Rtrim-down defined as:

$$R_{\text{trim-down}} = \frac{bR_1}{R_1-b} - R_3, b = \frac{V_o'-V_{\text{ref}}}{V_{\text{ref}}} \times R_2$$

For example, to trim-down the output voltage of 5.0V module (RSDW40F-05) by 10% to 4.5V, Rtrim-down is calculated as follows:

$$V_o' = 4.5V$$

$$V_{\text{ref}} = 1.24V$$

$$R_1 = 15.47 K\Omega$$

$$R_2 = 5.1 K\Omega$$

$$R_3 = 33K\Omega$$

$$b = \frac{V_o'-V_{\text{ref}}}{V_{\text{ref}}} \times R_2$$

$$= \frac{4.5 - 1.24}{1.24} \times 5.1 = 2.629 \times 5.1 = 13.408$$

$$R_{\text{trim-down}} = \frac{bR_1}{R_1-b} - R_3$$

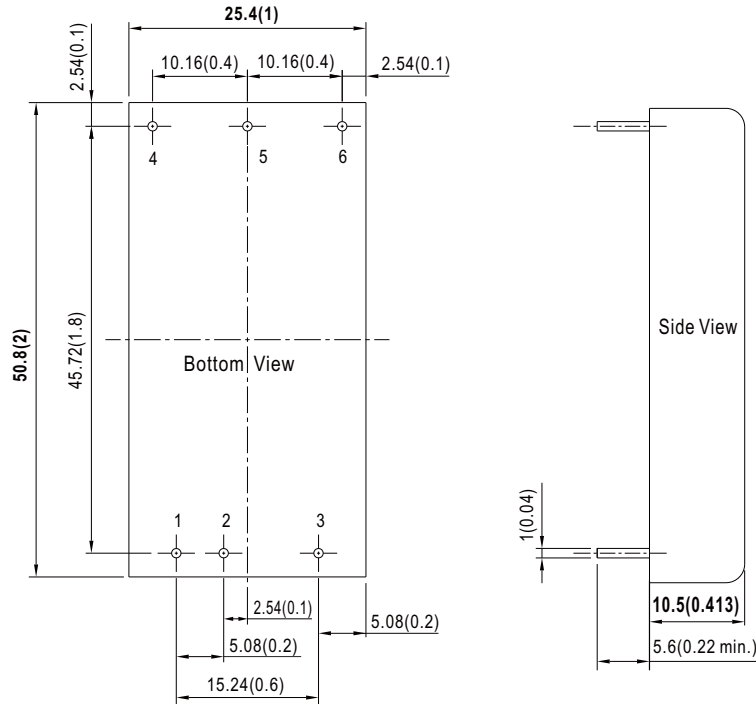
$$= \frac{13.408 \times 15.47}{15.47 - 13.408} - 33$$

$$= \frac{207.4217}{2.062} - 33$$

$$= 67.592K\Omega$$

**Mechanical Specification**

- All dimensions in mm(inch)
- Tolerance:  $x.xx \pm 0.35\text{mm}$  ( $x.xxx \pm 0.013"$ )
- Pin size is:  $1 \pm 0.1\text{mm}$  ( $0.04" \pm 0.005"$ )

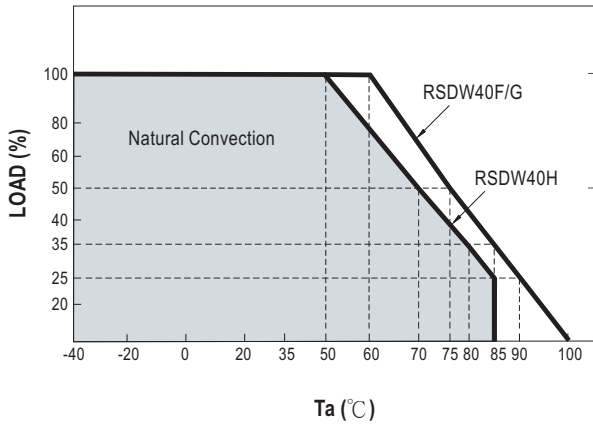


**Plug Assignment**

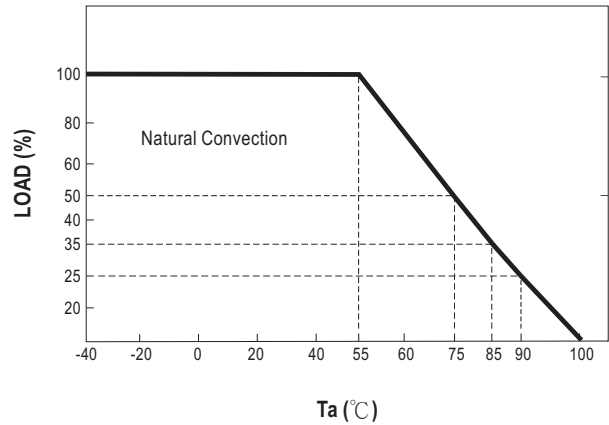
Pin-Out		
Pin No.	RSDW40 (Single output)	RDDW40 (Dual output)
1	+Vin	+Vin
2	-Vin	-Vin
3	Remote ON/OFF	Remote ON/OFF
4	+Vout	+Vout
5	-Vout	Common
6	Trim	-Vout

## Derating Curve

RSDW40F/G/H (Single output models):



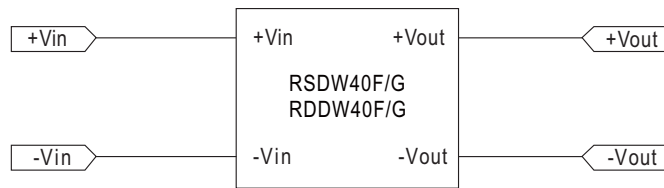
RDDW40F/G (Dual output models):



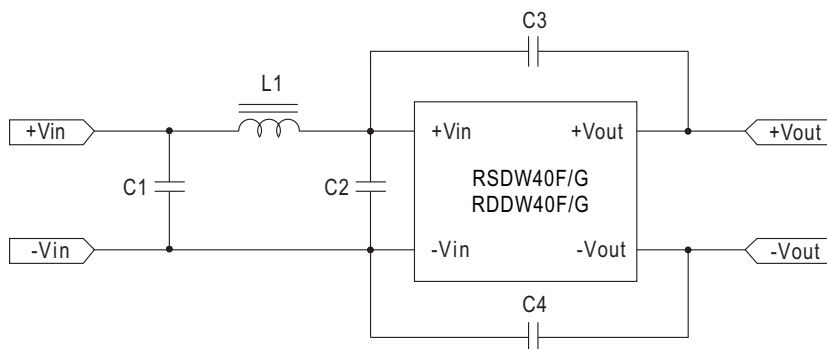
## EMC Suggestion Circuit

**F models(9~36Vin) and G models(18~75Vin):**

※Comply to BS EN/EN55032 Class A emission without additional componets are as below:



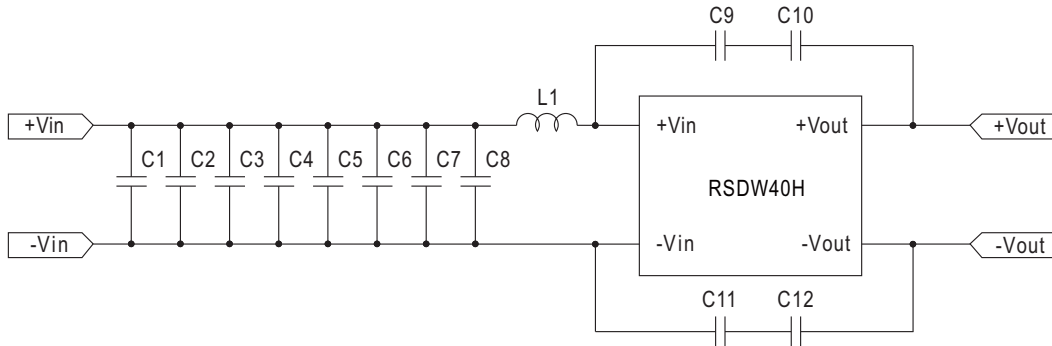
※Required external componets to meet BS EN/EN55032 Class B emission are as below:



Model No.	C1	L1	C2	C3	C4
RSDW40F-03/05/12/15 RDDW40F-12/15	10 $\mu$ F	1.5 $\mu$ H	10 $\mu$ F	2200pF	2200pF
RSDW40G-03/05/12/15 RDDW40G-12/15	4.7 $\mu$ F	3.3 $\mu$ H	4.7 $\mu$ F	2200pF	2200pF

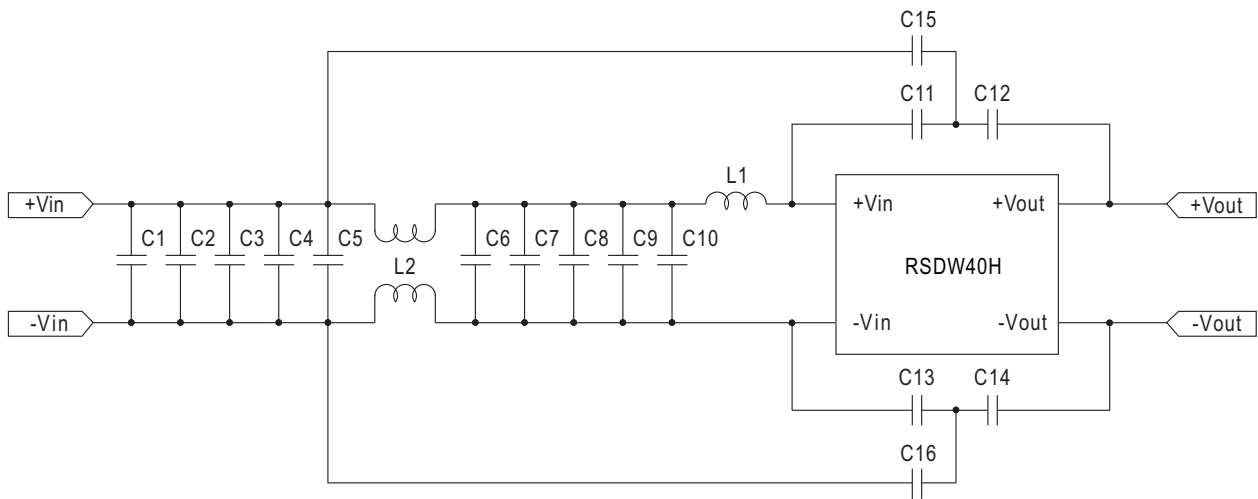
### H models(40~160Vin):

※Required external componets to meet BS EN/EN55032 Class A emission are as below:



Model No.	L1	C1	C2	C3	C4	C5	C6	C7	C8	C9	C10	C11	C12
RSDW40H-5/12/24/48	68μH	0.68μH	0.68μH	0.68μH	0.68μH	0.68μH	0.68μH	0.68μH	0.68μH	4700pF	4700pF	4700pF	4700pF

※Required external componets to meet BS EN/EN55032 Class B emission are as below:



Model No.	L1	L2	C1	C2	C3	C4	C5	C6	C7	C8	C9	C10	C11	C12	C13	C14	C15	C16
RSDW40H-05/12	68μH	2.2mH	0.68μF	0.68μF	0.68μF	0.68μF	0.68μF	0.68μF	0.68μF	0.68μF	0.68μF	0.68μF	4700pF	4700pF	4700pF	4700pF	47pF	47pF
RSDW40H-24/48	68μH	2.2mH	0.68μF	0.68μF	0.68μF	0.68μF	0.68μF	0.68μF	0.68μF	0.68μF	0.68μF	0.68μF	4700pF	4700pF	4700pF	4700pF	33pF	33pF

■ Packing

Standard Tube Packing	RSDW40/RDDW40			
	MPQ Per Tube (PCS)	One Tube G.W.	Max. Q'TY/ Carton(PCS)	One Carton G.W.
Unit : mm    CARTON L545 x W145 x H220	18	730g	288	12.5Kg
RSDW40H/RDDW40H				
MPQ Per Tube (PCS)	One Tube G.W.	Max. Q'TY/ Carton(PCS)	One Carton G.W.	
18	910g	288	15Kg	

■ Installation Manual

Please refer to : <http://www.meanwell.com/manual.html>