

# Solo-N2H

## Affordable 300Mbps 2.4GHz WISP Outdoor AP/CPE

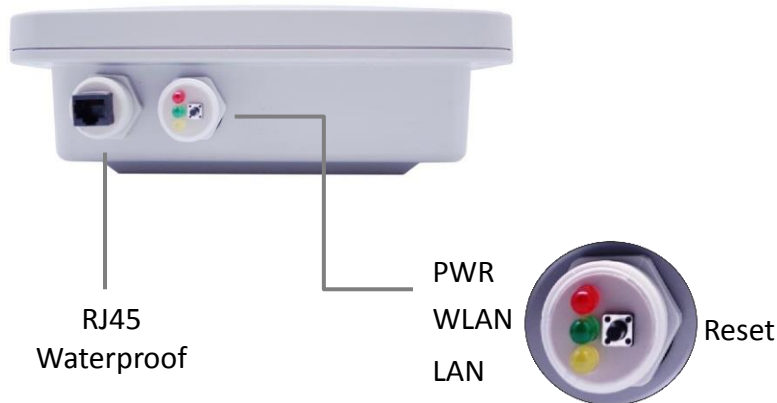


- » 2.4GHz IEEE 802.11n MIMO
- » Data-rate up to 300Mbps
- » Long-Range Distance
- » RF output power adjustable
- » Multiple ESSID
- » VLAN supported
- » Passive 24V PoE

---

### Friendly Interface

---

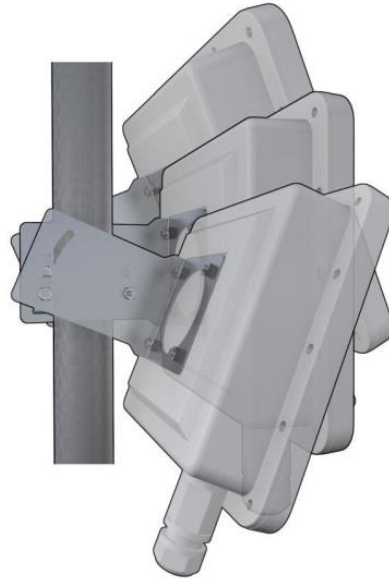


# Solo-N2H

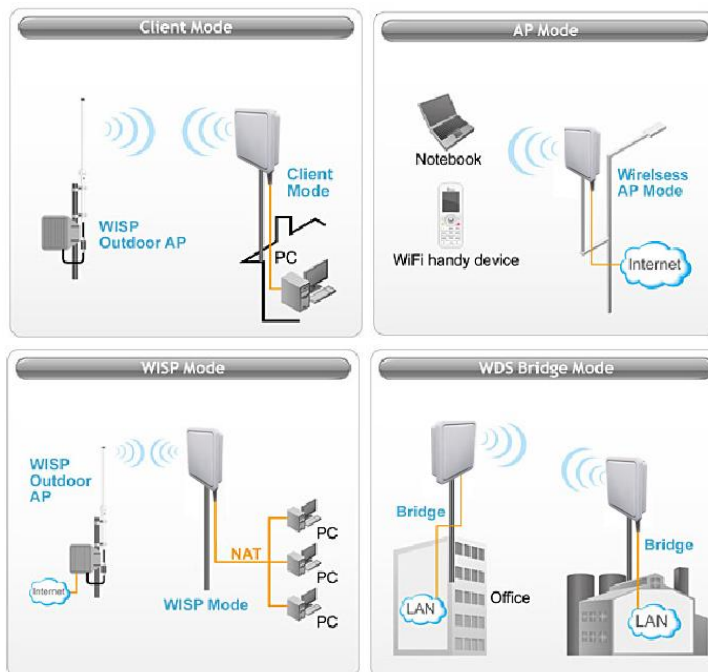
## Affordable 300Mbps 2.4GHz WISP Outdoor AP/CPE

Antenna Angle Adjustable

Mast Mount



Application



# Solo-N2H

## Affordable 300Mbps 2.4GHz WISP Outdoor AP/CPE

### Specification

Model	Solo-N2H		
Chipset	Atheros AR7240	Wireless Mode	AP Router
Frequency	2.4GHz		AP Bridge
Flash/SDRAM	8M / 32M		Client Adapter
			Client Router
			WDS Bridge
Data Rate	802.11b: 11, 5.5, 2, 1Mbps 802.11g: 54, 48, 36, 24, 18, 12, 9 & 6Mbps 802.11n: up to 150Mbps	Software	Distance control ACK timeout SNMP V.1, V.2 VLAN Client Isolation Access control list
Interface	1x Ethernet RJ45 (PoE) 3x LED indicator 1x Reset button	Security	64/128bit WEP
Output Power	Up to 27dBm		WPA(TKIP with IEEE 802.1X)
Sensitivity	-96dBm @ 802.11b -91dBm @ 802.11g -91dBm @ 802.11n		WPA2(AES with IEEE 802.1X)
Antenna	Build-in high-gain Mimo Antenna		WPA Mixed
Dimension(mm)	230 x 230 x 75mm	Power requirement	802.1x authentication
Material	Plastic UV protect	Mounting	24VDC Passive PoE
			Antenna adjustable mast mount

Changes to specifications and descriptions may change at any time without prior notice

### Package contents

- » Solo-N2H Device
- » L-mount kits
- » PoE adapter 24VDC
- » Power cord for PoE adapter
- » RJ45 waterproof accessory
- » LED+Reset waterproof cover